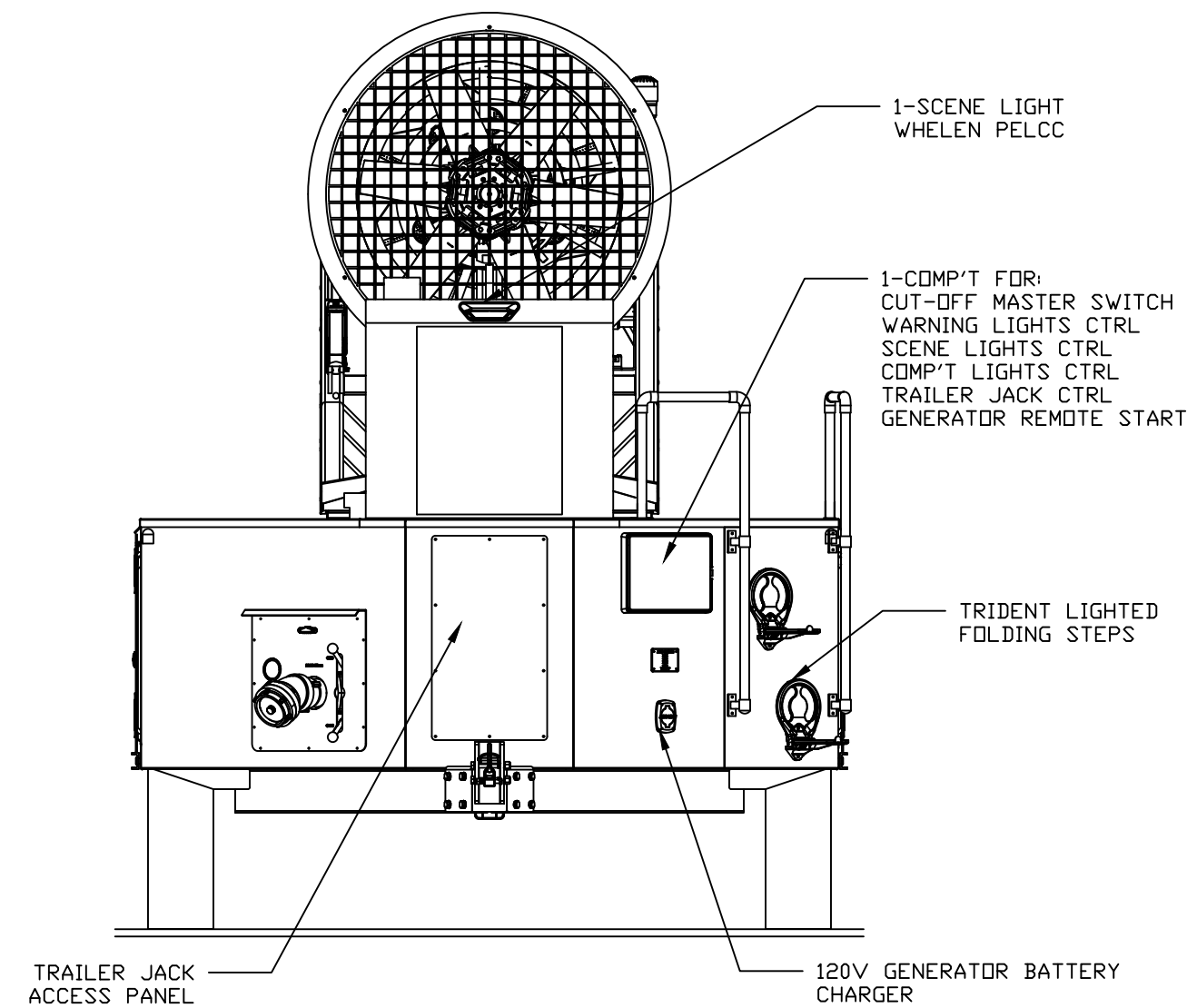
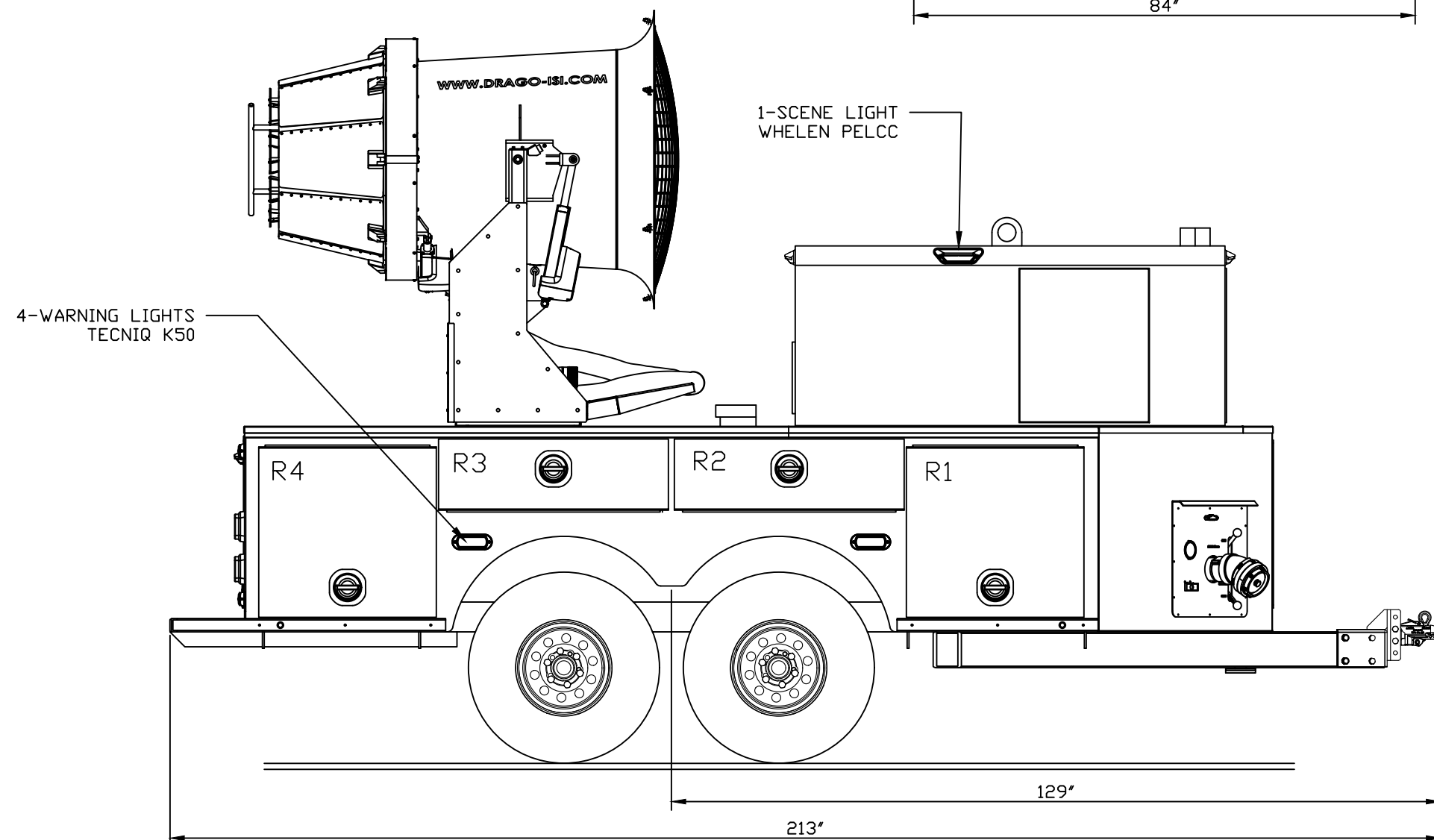
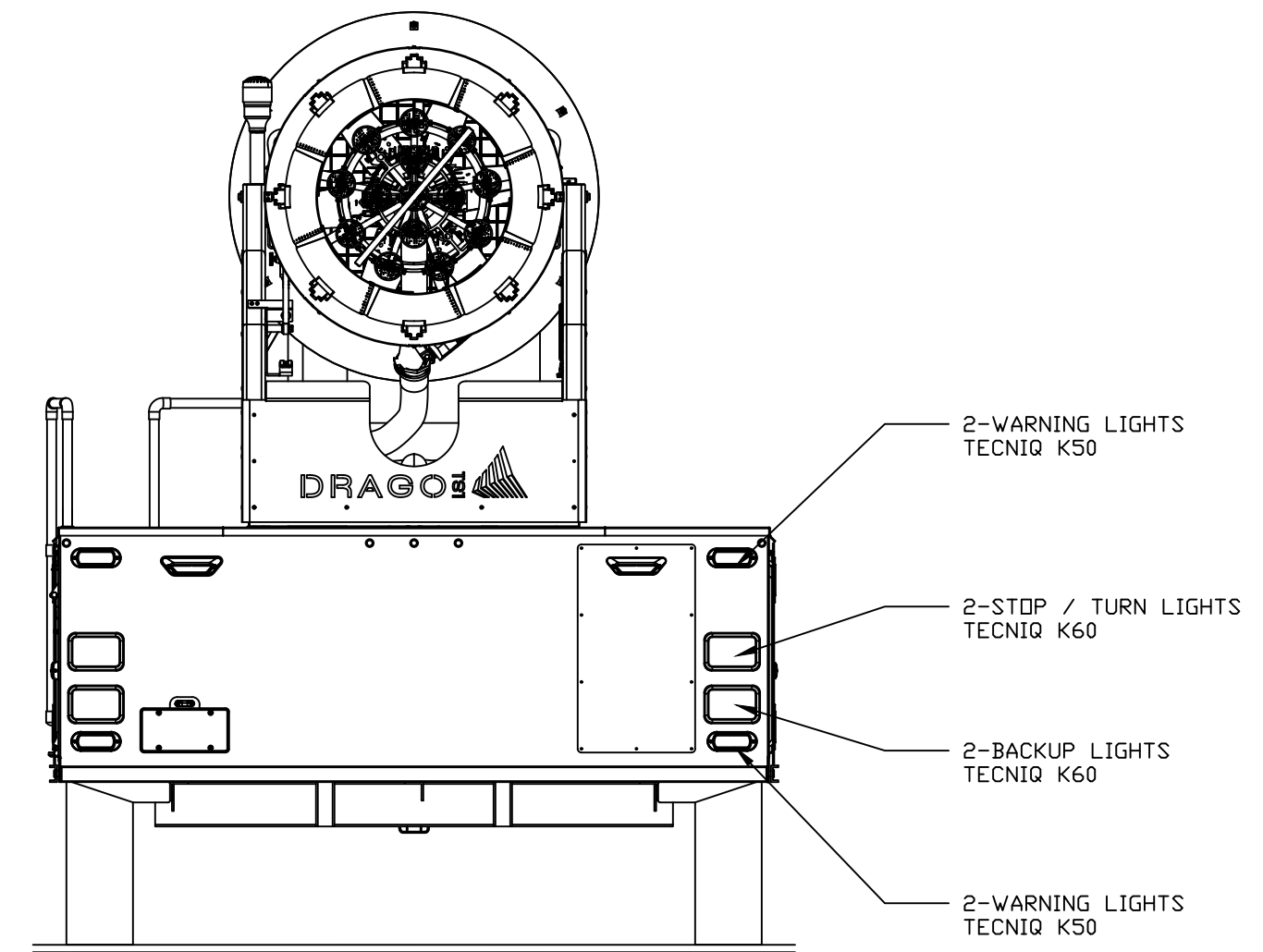
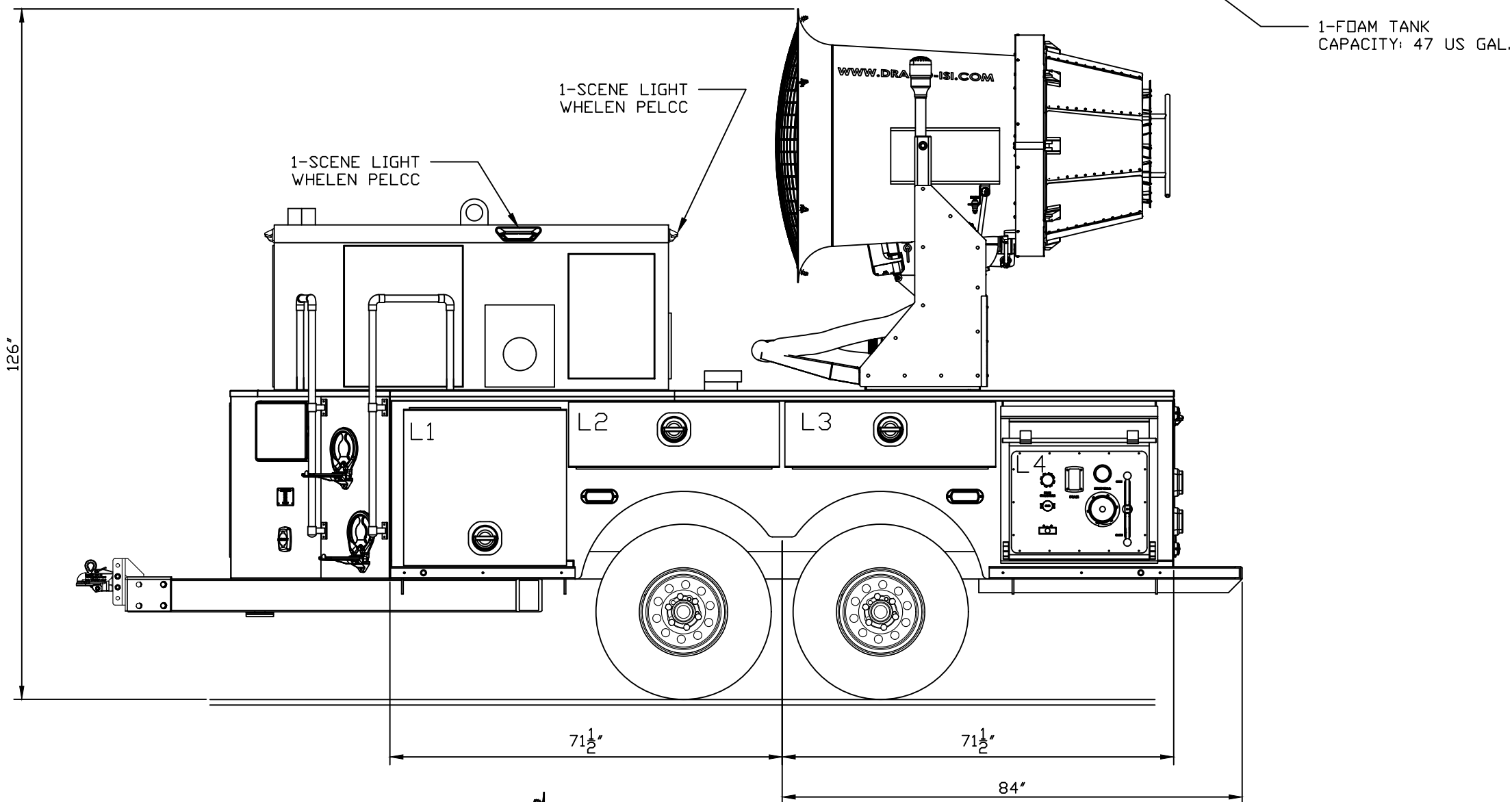
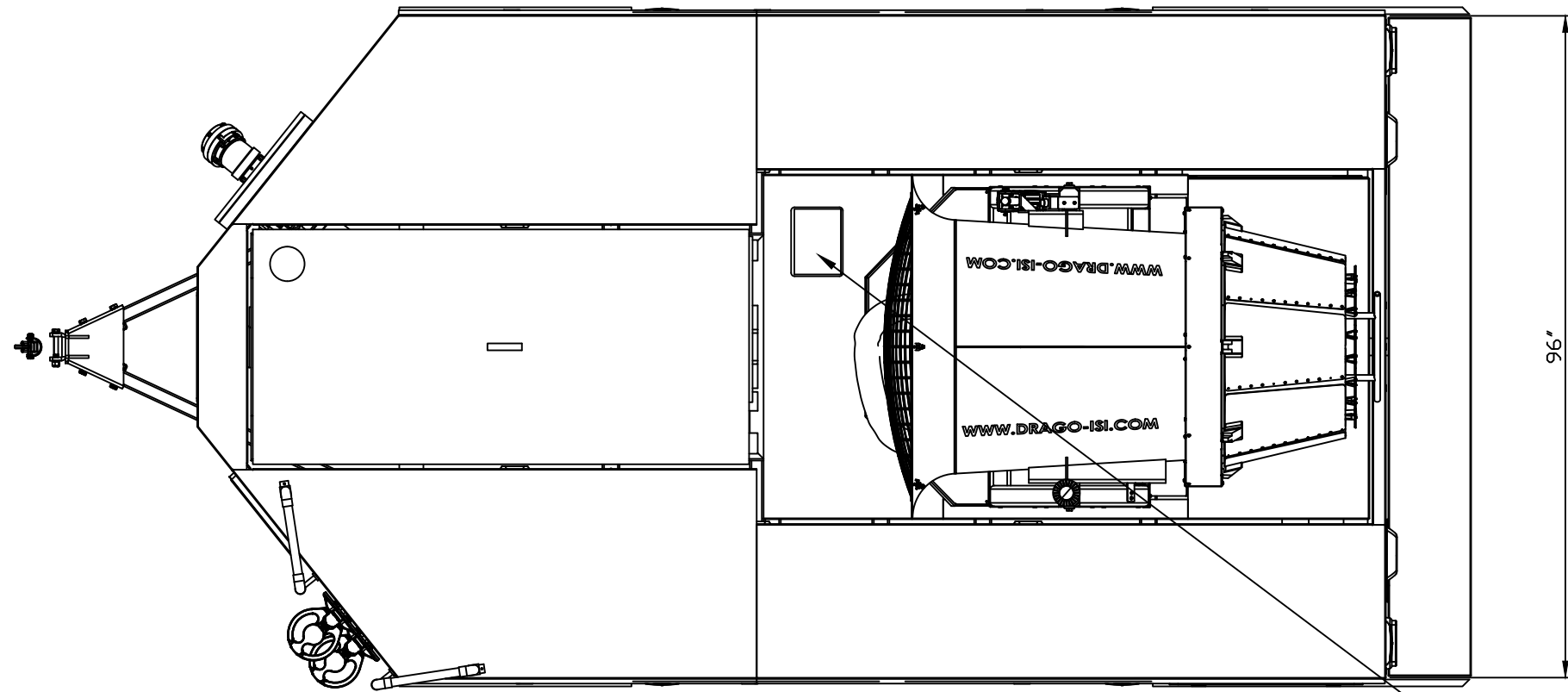


COMP'T NO.	L1	L2	L3	L4	R1	R2	R3	R4
COMP'T WIDTH	27.5	36	36	27.5	27.5	36	36	27.5
COMP'T HEIGHT	27.5	11	11	27.5	27.5	11	11	27.5
COMP'T DEPTH	30 12	22	22	10.5	26 12	22	22	10.5

W= WIDTH OF COMP'T
H= HEIGHT OF COMP'T
D= DEPTH OF COMP'T



CLIENT/DESTINATION	DRAGO-ISI	DESS/DRAWN	SL	VER/CHK'D	DT/EE/QU/TY	2
DATE	01-2021	MATERIEL/MATERIAL	ALUMINIUM			
ECH/SCALE	1/2"=1'	PRDJET/JOB NO.	2844			
DESCRIPTION	REMORQUE DRAGO	DESS/DWG NO.				