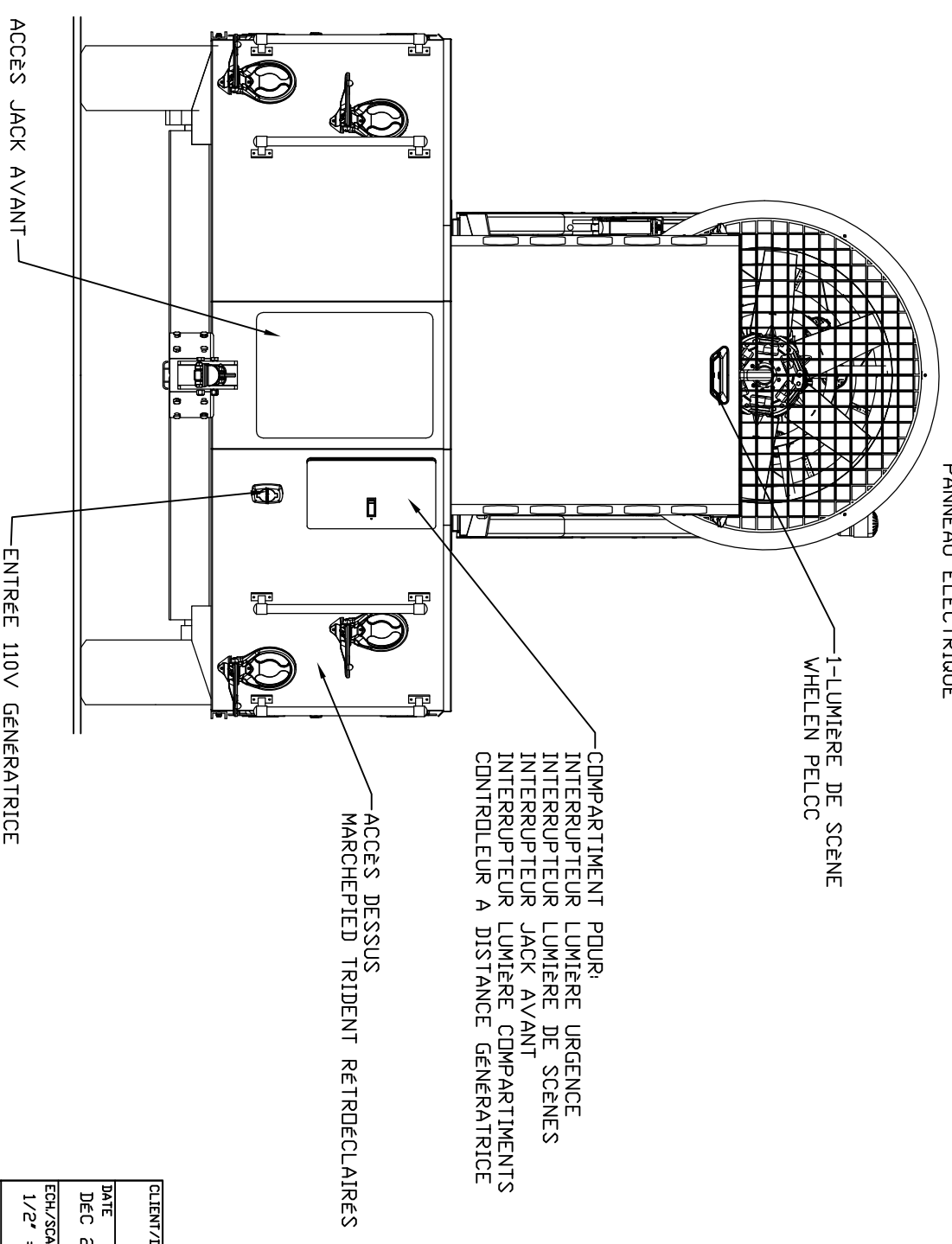
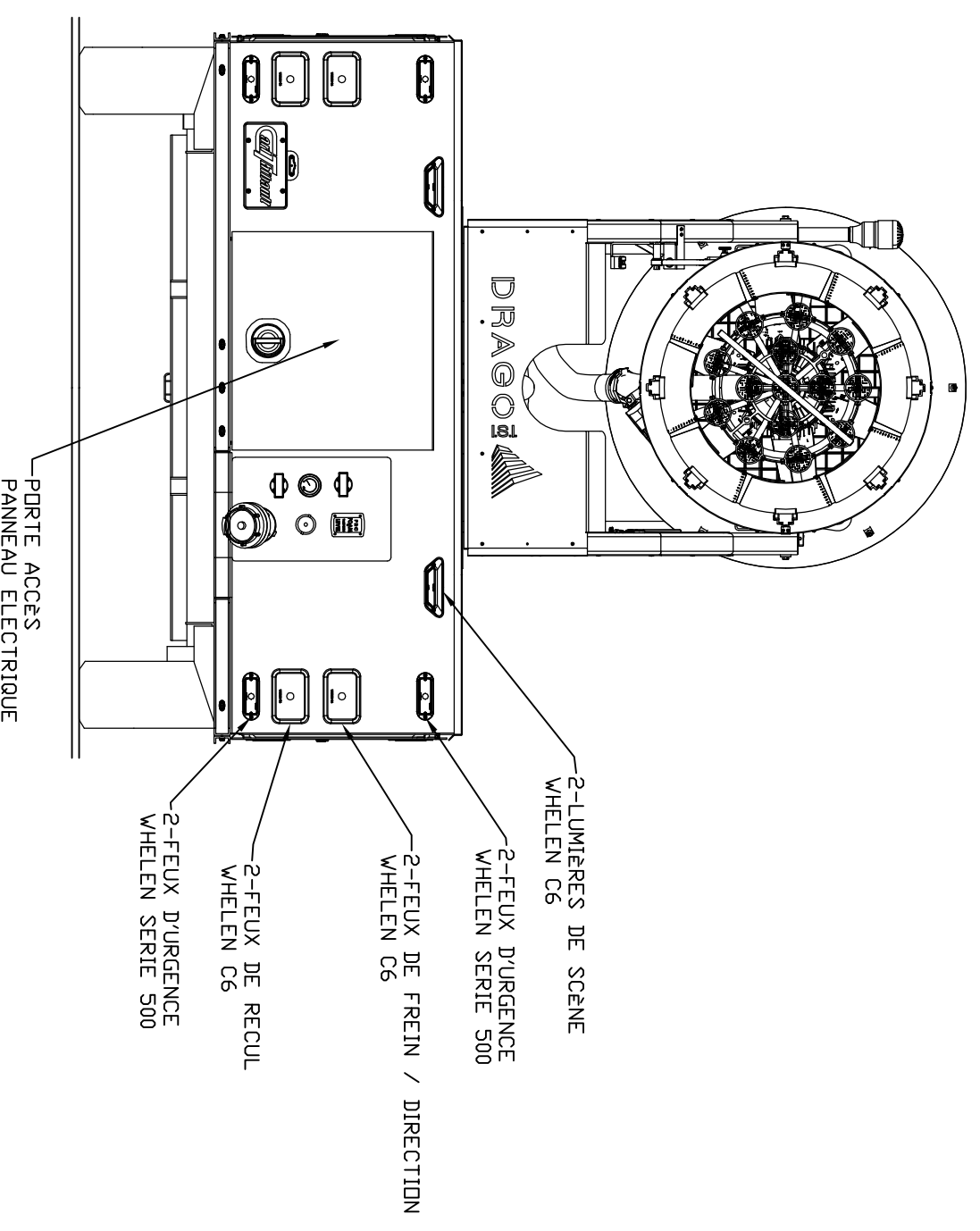


COMP.T. NO.	G1	G2	G3	G4	D1	D2	D3	D4
DIMENSIONS L	28	36	36	28	28	36	36	28
DIMENSIONS H	26	10	10	26	26	10	10	26
DIMENSIONS P	26	22	22	22	26	22	22	22
	12			12	12			12

L = LARGEUR DES COMPARTIMENTS
H = HAUTEUR DES COMPARTIMENTS
P = PROFONDEUR DES COMPARTIMENTS



CLIENT/DESTINATION	DRAGD-1S1	RESS/ISS/ANNUITE	DRAGD-1S1
DATE	DEC 2019	PROJET/JOB NO	DRAGD-1S1
EQU/SCALE	1/2" = 1'	PROJET/JOB NO	DRAGD-1S1
DESCRIPTION	REMORQUE DRAGD	PROJET/JOB NO	DRAGD-1S1