



THE INNOVATIVE

DRAGO FIRE CONTROL SOLUTION

SUPERIOR THERMAL ABSORPTION WITH 70% LESS WATER

THE DRAGO CANNON

Drago-ISI Inc. specializes in the design and marketing of innovative fire control solutions. The Drago cannon is simple in design, yet highly effective and capable of a water flow up to 785 GPM with a projection exceeding 200 feet.

It uses our constant stream technology, making it distinct from any other water cannon on the market. The unique design of the central nozzle (Spider) offers a smooth performance curve with optimal parameters of water flow and droplet quality compared to all other water mist technologies.

The Drago shoots a water/air mix or a mixture of water/firefighting agent (foam or even encapsulator agents) at a great distance to efficiently conduct various maneuvers aimed at extinguishing fires, cooling the ambient air, or repelling smoke and toxic fumes.



KEY FEATURES

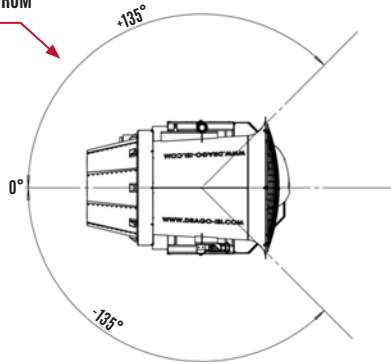
- Hybrid water/air spray for superior thermal absorption using 70% less water in optimal dispersal
- Fully automatic and wireless remote control for ease of operation
- Nozzle flaps can be adjusted from 32 to 26 inches (81 to 66 cm) to tailor the water/air stream
- Water discharge rate between 40 to 785 gpm (182 to 3568 liters) per minute for a much lower consumption of water
- Water jet distance from 100 up to 200 feet (31 up to 61 m)
- Water/foam/encapsulator mix with a jet height of 100 to 180 feet (31 to 55 m)
- At a distance of 100 f (30 m) the width of water and foam penetration = 30 to 50 feet (12 to 15 m) for maximum coverage
- +135° or -135° rotation with a tilt of + 45° to -15° for greater control
- The water pressure of the central nozzle (Spider) is adjustable from 40 to a maximum of 275 psi (3 to 19 bars)
- Nominal Operating Pressure = 150 to 200 psi (10 bars to 14 bars)
- Spider foam nozzle has its own mesh grid delivering optimal expansion for foam or encapsulation
- No filtering system for easy maintenance



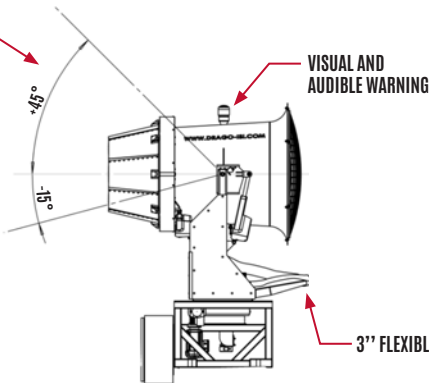
TECHNICAL DATA

CONTROL	Manual Fully automatic	FREQUENCY	60 Hz 60Hz
LENGTH	70 inches 1,778 m	FAN	30 HP 22 kW
WIDTH	50 inches 1,270 m	AIRFLOW	35,000 CFM / 991 m ³
HEIGHT	93 inches 2,365 m	WATER PRESSURE	40 to a maximum of 275 psi (3 to 19 bars)
FLAP SYSTEM	32 - 26 inches 0.8 - 0.6 m	WATER FLOW	40 to 785 gpm 182 to 3568 LPM
WEIGHT	1,256 lbs 570 kg	WATER INLET	2.5 in. 64 mm
TILT	-45° -15°	SIGNAL	Visual and audio: 110 dB
VOLTAGE	480 V 600 V	CHASSIS OPTION	Truck / Trailer / Rig stationary
		WARRANTY	1 year

270 DEGREE ROTATION FROM
+135 TO -135 DEGREES



TILT FROM +45
TO -15 DEGREES



32" TO 26" FLAP SYSTEM



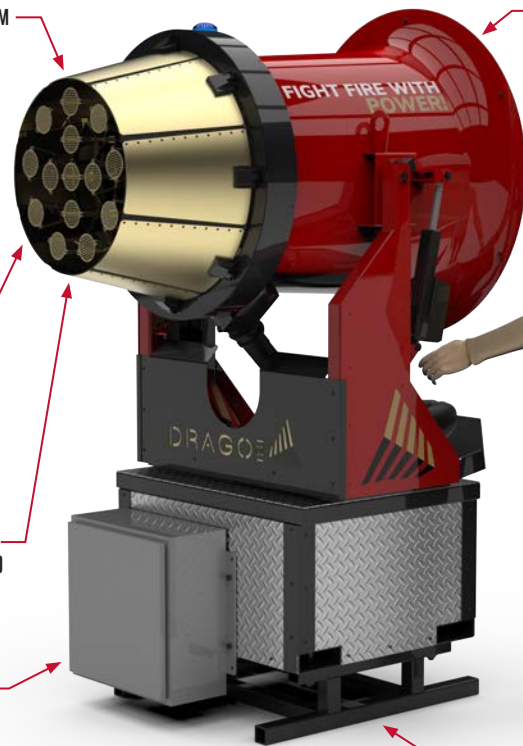
SPIDER: SPRAY
BLUE (14 NOZZLES)
RED (16 NOZZLES)
GREEN (14 NOZZLES)

SPIDER: FOAM
BLUE (14 NOZZLES)
RED (16 NOZZLES)

WATER FLOW FROM 40 TO
785 GPM (182-3586 LMP)

FULLY AUTOMATED AND
REMOTE CONTROLLED UNIT

35000 CFM FAN



5'9"

FORKLIFT-READY
PORTABLE BASE



- The Drago Cannon was capable of flowing an effective fire stream up to 202 feet.
- Cooling and Protecting: In combination with a hand-line team, the Drago Cannon showed capability in effectively cooling and protecting exposures.
- Foam Blanket: The Drago Cannon was able to produce an effective foam blanket without the use of a fixed structure such as a back splash or tank wall.
- Pit Fire Containment: The Drago Cannon was able to effectively control a 1,400 square foot containment pit fire using only water and extinguish with foam 2X faster with baseline (149 seconds compared to 369 seconds).
- Circular Tank Extinguishment: The Drago Cannon was able to extinguish a 1,590 square foot circular tank prop 3.3 times faster with baseline (51 seconds compared to 167 seconds).

FIGHT FIRE WITH POWER

1 866 DRAGO 01 (372-4601) | info@drago-isi.com | drago-isi.com



DRAGO ISI

